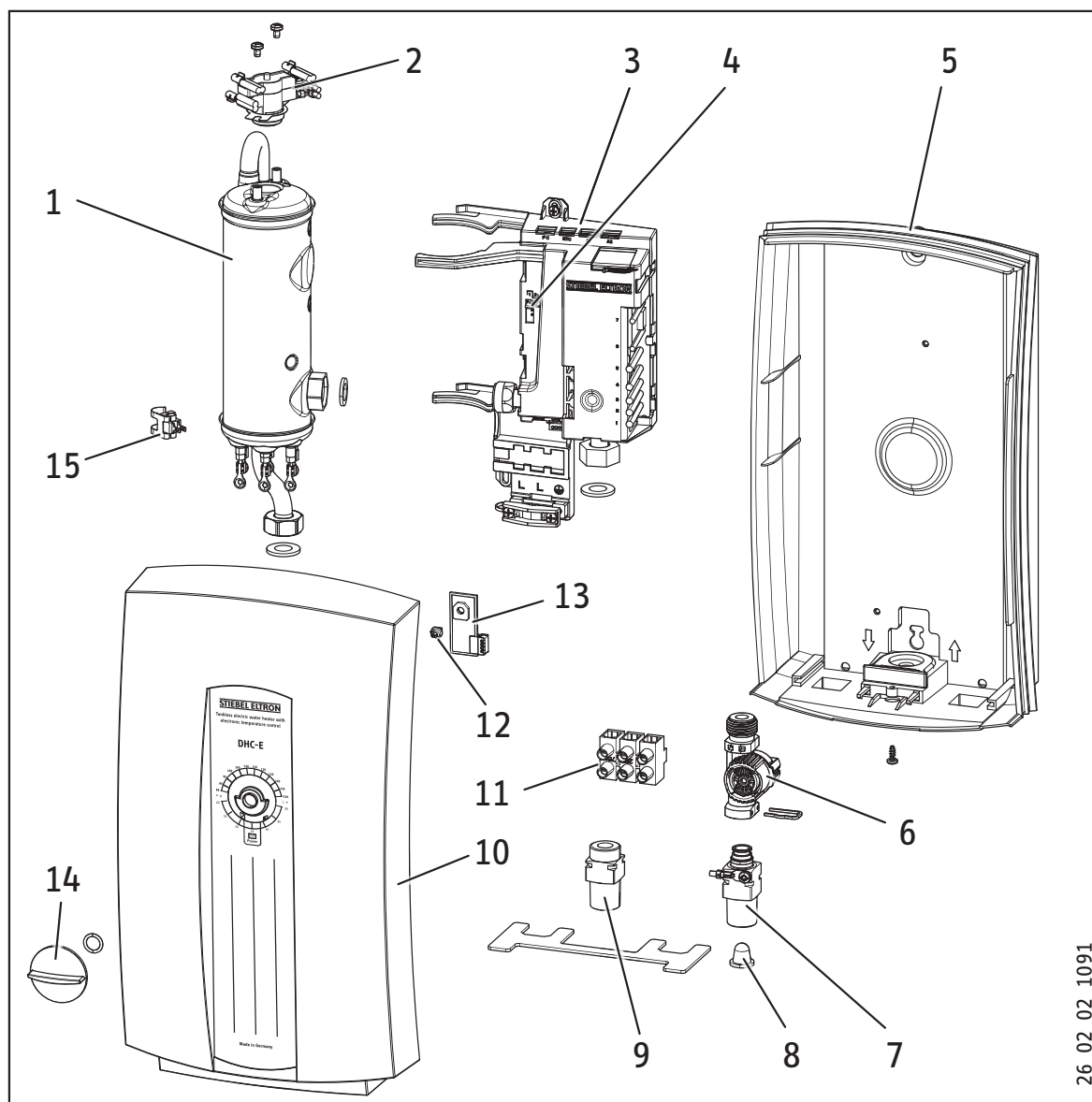


DHC-E 8/10 & DHC-E 12 Spare Parts List & Diagram



26_02_02_1091

No.	No. Spare part	DHC-E 8/10	DHC-E 12
1	Heating system	292575	292576
2	Safety thermal cut out	286369	286369
3	Electronic control appliance	291851	291852
4	Coding plug	283455	---
5	Back panel	292578	292578
6	Flow sensor DFE	286461	286461
7	Cold water connection	291699	291699
8	Filter screen	275981	275981
9	Hot water connection	278634	278634
10	Plastic cover	292577	292577
11	Wiring block	279998	279998
12	Axis connection plug	254312	254312
13	Electronic temperature control	286359	286359
14	Temperature adjustment knob	254307	254307
15	Outlet temperature sensor	280677	280677