

STIEBEL ELTRON

Simply the Best

ELEGANTLY DESIGNED COMFORT



CK & CKT

WALL-MOUNTED
ELECTRIC FAN HEATERS



ISO 9001
CERTIFIED

- » SLEEK EUROPEAN SURFACE-MOUNT DESIGN
- » QUIET OPERATION AT 53 dB
- » BUILT-IN THERMOSTAT FOR MAXIMUM COMFORT
- » CONVENIENT 60 MINUTE TIMER ON CKT
- » DOWNDRAFT DESIGN HEATS SPACE EVENLY
- » QUALITY GERMAN MANUFACTURING
- » IDEAL ANYWHERE QUICK HEAT IS NEEDED

TOLL FREE **800.582.8423**

www.stiebel-eltron-usa.com

CK & CKT WALL-MOUNTED ELECTRIC FAN HEATERS

Elegant surface-mount design is perfect anywhere quick heat is needed. Designed and made in Germany, the heater is quiet in operation and will quickly warm an area or maintain a comfortable temperature.

The CKT adds a 60 minute timer designed to temporarily output maximum heat to quickly warm a space. When the timer goes off the unit reverts to the thermostat setting to maintain comfort.

Both models are designed with a frost protection setting. The lowest thermostat setting will maintain above freezing temperatures in an appropriately sized space.



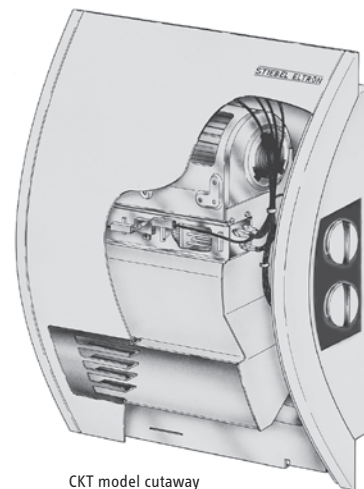
Ideal for:

- » Bathrooms » Playrooms » Campers, RVs
- » Basements » 3-Season Porches » Mobile Homes
- » Offices » Cabins » Easily replaces flush-mount heaters

Technical Data



Model	CK / CKT 15E	CK / CKT 20E	CK / CKT 20E
Item number	074058 / 230345	074059 / 230346	074059 / 230346
Voltage	120 v	208 v	240 v
Wattage	1500 w	1500 w	2000 w
Amperage	12.5 A	7.2 A	7.5 A
Rated output	5122 BTU/HR	5122 BTU/HR	6829 BTU/HR
Min. circuit breaker size	15 A	15 A	15 A
Recommended wire size	12 AWG	14 AWG	14 AWG
Heating element	nichrome wire		
Thermostat	bimetal type		
High limit	bimetal type		
Motor	18 w shaded pole		
Blower	galvanized steel, squirrel cage type		
Dimensions	18 1/8" / 460mm H x 13 1/4" / 335mm W x 4 3/4" / 123mm D		
Weight	8.0 lb / 4.4 kg		
Housing	Painted steel / plastic		
Temperature range	41-86°F / 5-30°C		
Frost protection setting	45°F / 7°C		
Operating noise	53 dB(a)		



CKT model cutaway

Distributed by:

STIEBEL ELTRON

17 West Street
West Hatfield, MA 01088

TOLL FREE 800.582.8423

PHONE 413.247.3380

FAX 413.247.3369

info@stiebel-eltron-usa.com

www.stiebel-eltron-usa.com